



Laboratory Mixer

Dispersion Equipment

BEVS 250 I/S

BEVS Industrial(Guangzhou) Co., Ltd.

Intelligent Testing Equipment Developer & Manufacturer For Paint, Coating

E-mail: sales@bevsinfo.com

Website: www.bevsinfo.com

Address: 3F, Bldg A, No. 257 Junye Rd, Huangpu Dist, Guangzhou 510530, China



Introduction



BEVS 2501/S is a portable dispersing machine with simple operation. It adopts an integrated stirring shaft, adjusts the motor speed through a frequency converter, directly displays the current working speed and is a good choice for R&D, laboratory and field tests.

Side handle

Quick up/down



Fast clamp

Time-saving



Height scale

Accurate positioning



Height positioning ring

Accurate positioning



Application

It is used for stirring, dissolving and dispersing liquid and liquid coagulation materials.



◆	Paint	◆	Food
◆	Dye	◆	Resin
◆	Ink	◆	Medicine
◆	Pigment	◆	Lotion
◆	Papermaking	◆	Petroleum
◆	Cosmetic	◆	Adhesive



Dispersing disc



Milling disc



Vessel



Features



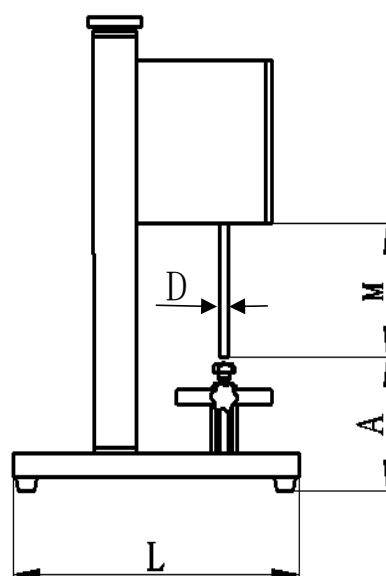
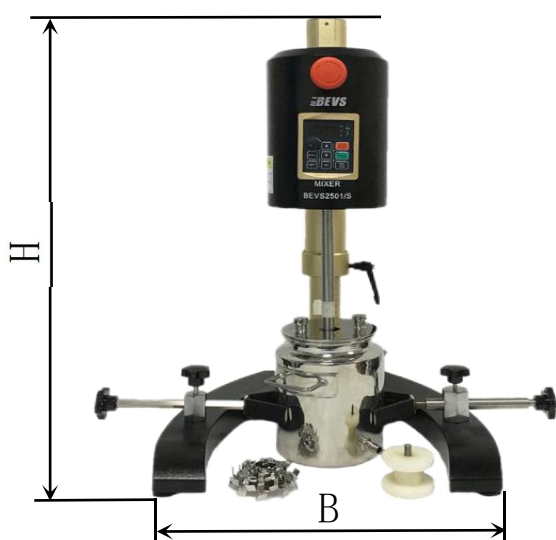
One-piece stirring shaft,
low vibration
Faster and more stable
dispersion



Real-time display of
current speed



Clamp vessel
quickly



Technical info



Up/down stroke: 0~250mm



Vessel volume: 0.5L to 3.0L



Speed: 30~9000rpm



Power: 550W



Power supply: 110/220V; 50/60HZ



With emergency stop

Dimension

B*H*L: 410*680*450mm


D: ϕ 17mm M: 220mm


A: 30 - 240mm


Weight


19kg

Order info

Model	Packing list	Pic.
BEVS 2501/S Lab mixer	Mixer x 1 Dispersing disc x 3, freely select Welded vessel 1.5L x 1	

	Model	Dia.	Material	Pic.
Dispersing disc	BEVS 2510/*	30, 35, 40, 50, 60, 80, 100, 120, 150, 200mm	Stainless steel	

	Model	Dimension	Material	Pic.
Milling disc	BEVS 2501/P/025	Dia. 45mm, Height 32mm	Nylon	
	BEVS 2501/P/026	Dia. 60mm, Height 45mm	Nylon	
	BEVS 2501/P/027	Dia. 45mm, Height 32mm	Teflon	
	BEVS 2501/P/028	Dia. 60mm, Height 45mm	Teflon	

	Model	Volume	Most fitted dispersing disc	Material	Pic.
Vessel	BEVS 2501/P/013	0.5L	φ35mm	Stainless steel, double-walled	
	BEVS 2501/P/012	1.5L	φ50mm		
	BEVS 2501/P/014	3.0L	φ50mm φ60mm		

BEVS Industrial Co.,Ltd

Headquarter

Address: Floor 3, Building A, No. 257 Junye Road, Huangpu District, Guangzhou, 510530, China
Tel: +86 20 29038636
Fax: +86 20 89851362
Email: sales@bevsinfo.com

Hongkong

Address: Room 2009, 20/F, Hang Bong Commercial Centre, No.28 Shanghai Street, Tsimshatsui, Kowloon, Hongkong
Tel: +852 94348583
Fax: +852 81486056
Email: jackie@bevsinfo.com

Shanghai

Address: Room 1125, 1st Floor, Xinzhuang Business Building, No.4999 Zhong Chun Road, Minhang District, Shanghai, China
Tel: +86 21 34537083
Fax: +86 21 64399843
Email: sales@bevsinfo.com



Website

